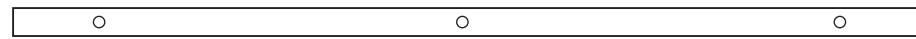
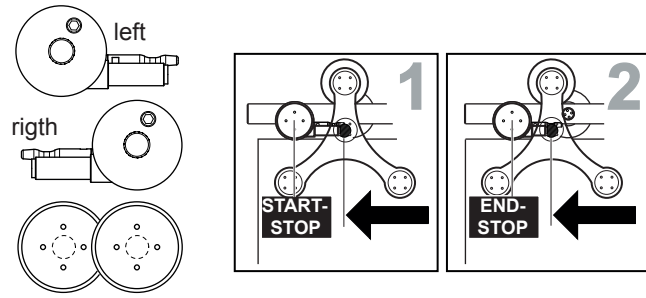


**1 Set sliding door fittings Tritec**

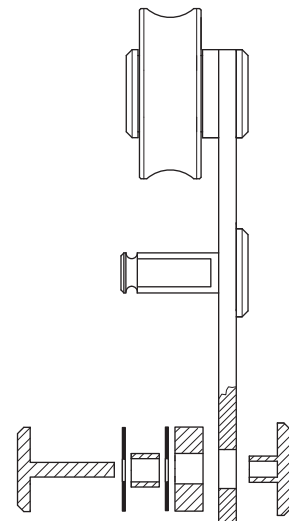
**2 Guide rail**



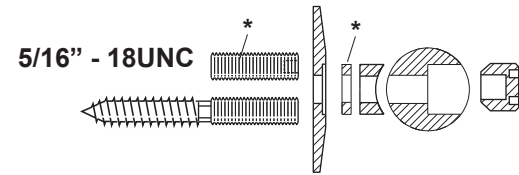
**3 Door stoppers Soft-Tec**



**4 Trolley complete**

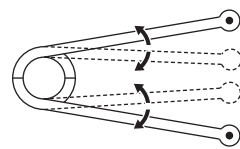


**5 Wall fixtures**  
(without screws and dowels, at construction site)

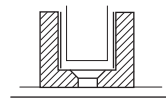


\* not included in scope of delivey

**6 Special tool**



**7 Bottom guide 5/16" - 1/2"**  
(without screws and dowels, at construction site)



| Set Tritec     | Set / Each |   |   |   |   |   |
|----------------|------------|---|---|---|---|---|
| 1 Art.-No.     | 2          | 3 | 4 | 5 | 6 | 7 |
| USU64DS-1800EF | 1          | 2 | 2 | 3 | 1 | 1 |
| USU64DS-2100EF | 1          | 2 | 2 | 4 | 1 | 1 |
| USU64DS-2300EF | 1          | 2 | 2 | 4 | 1 | 1 |
| USU64DS-2540EF | 1          | 2 | 2 | 4 | 1 | 1 |

**!** Comply with all general safety regulations when installing the sliding door fittings!

Installation to be completed by qualified licensed contractor.

Be sure to tighten all screw connections one week after starting to use the sliding door fittings!

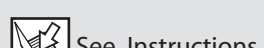
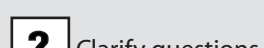
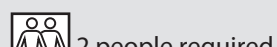
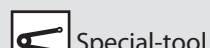
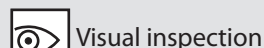
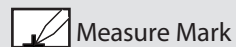
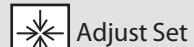
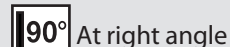
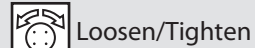
Never use scouring agents to clean the sliding door fittings; rather use commercially available stainless-steel cleaners!



Beyerle US L.L.C.

5126 South Royal Atlanta Drive, Tucker, GA 30084, USA

Phone (770) 349 - 6324, Fax (770) 934 - 3384, mail: info@beyerle-us.com, www.beyerle-us.com

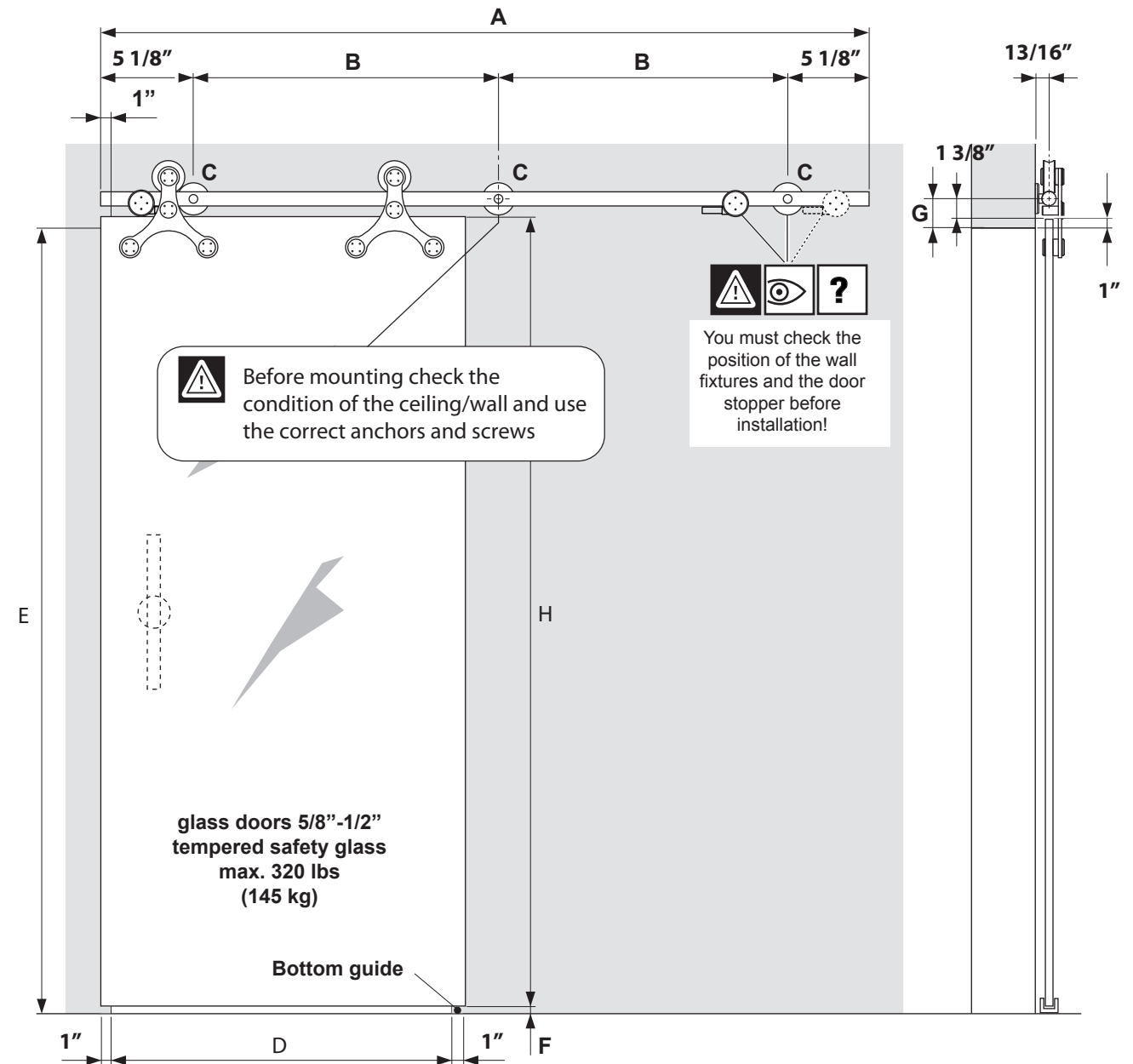


65 30 00.0139\_Tritec\_DS-092015jb

# Installation instructions

## Sliding door fittings Tritec

for glass doors ( 5/16"-1/2" ) with Soft-Tec Stopper



**Complete-Set's**

|                | A<br>Inch | B<br>Inch | C<br>each | D<br>Inch           | E<br>max.Inch | F<br>Inch   | G<br>Inch | H<br>max. Inch<br>( H = E - F + 1" ) |
|----------------|-----------|-----------|-----------|---------------------|---------------|-------------|-----------|--------------------------------------|
| USU64DS-1800EF | 70 7/8"   | 30 5/16"  | 3         | 29 1/2" - 35 7/16"  | 98 7/16"      | 1/4" - 3/8" | 2 3/8"    | 99 1/8"                              |
| USU64DS-2100EF | 82 11/16" | 24 1/8"   | 4         | 35 13/16" - 39 3/8" | 98 7/16"      | 1/4" - 3/8" | 2 3/8"    | 99 1/8"                              |
| USU64DS-2300EF | 90 9/16"  | 26 3/4"   | 4         | 39 3/4" - 44 1/16"  | 98 7/16"      | 1/4" - 3/8" | 2 3/8"    | 99 1/8"                              |
| USU64DS-2540EF | 100"      | 29 15/16" | 4         | 44 1/2" - 49 3/16"  | 98 7/16"      | 1/4" - 3/8" | 2 3/8"    | 99 1/8"                              |

Right to make technical changes reserved - Dimensions in Inch - Version 09.2015

© by ABP-Beyerle GmbH



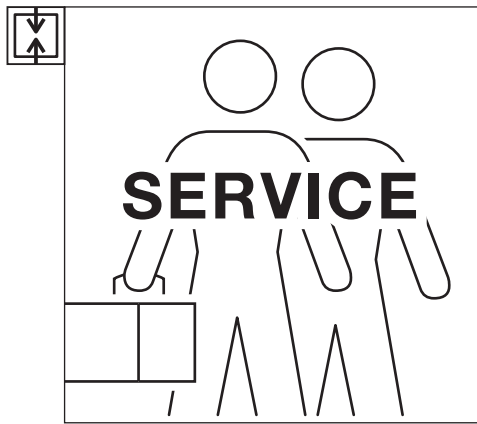


Abb. 1

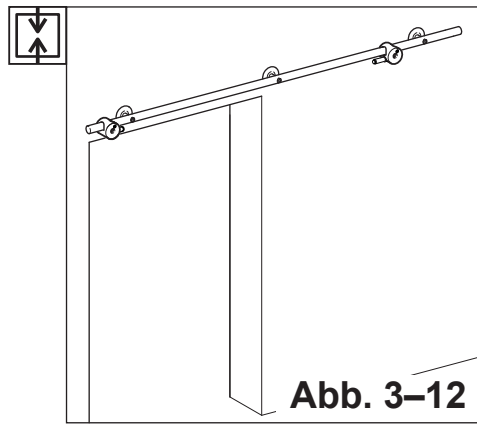


Abb. 3-12

Abb. 2

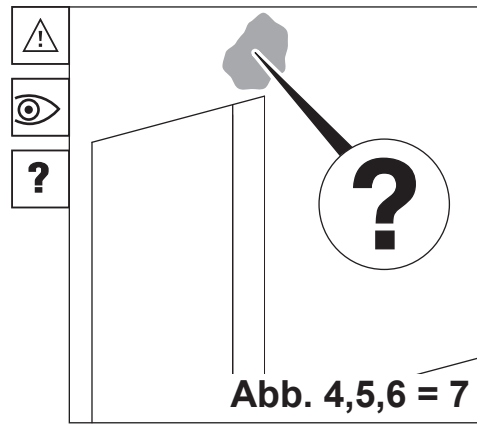


Abb. 4,5,6 = 7

Abb. 3

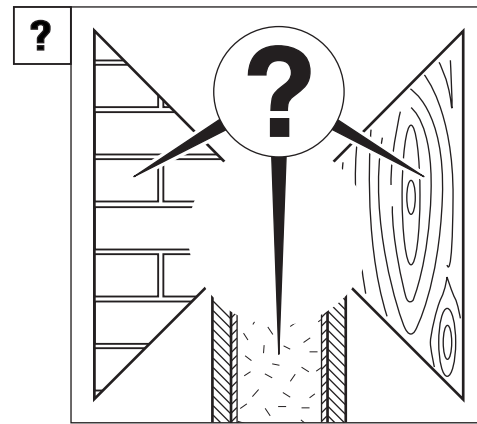


Abb. 4

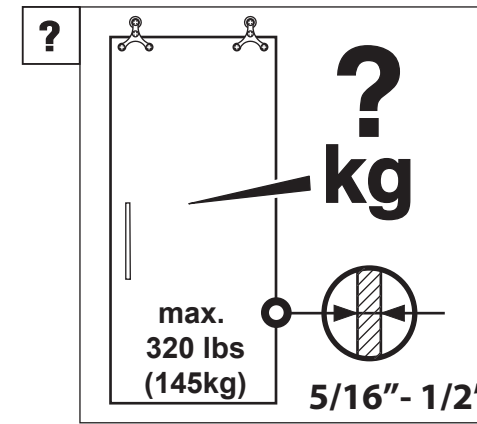


Abb. 5

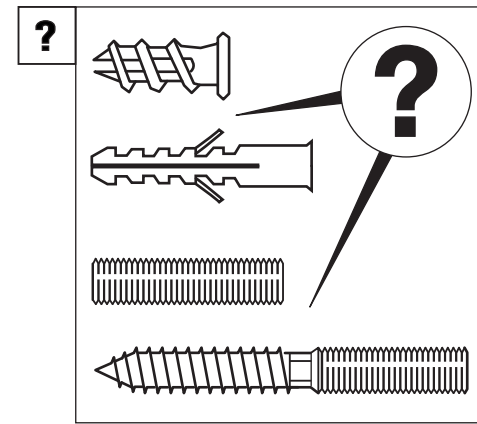


Abb. 6

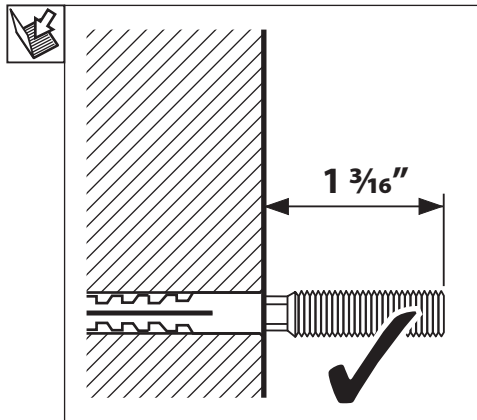


Abb. 7

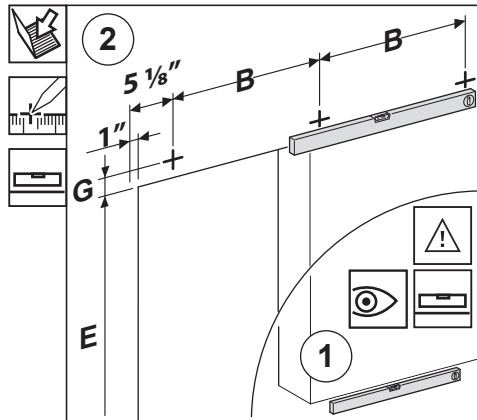


Abb. 8

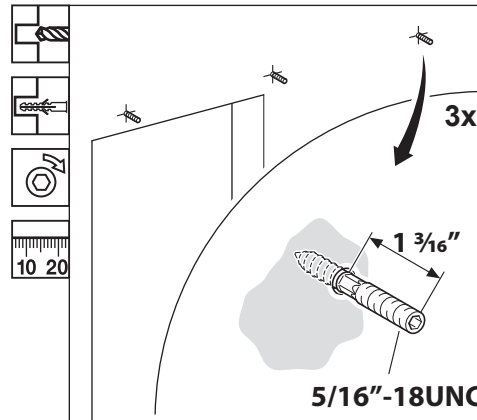


Abb. 9

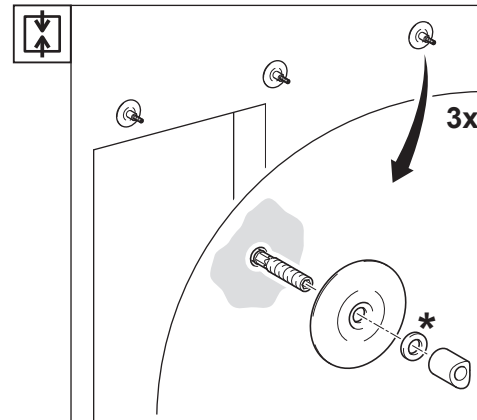


Abb. 10

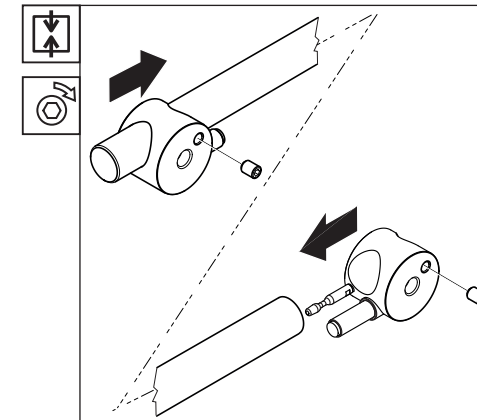


Abb. 11

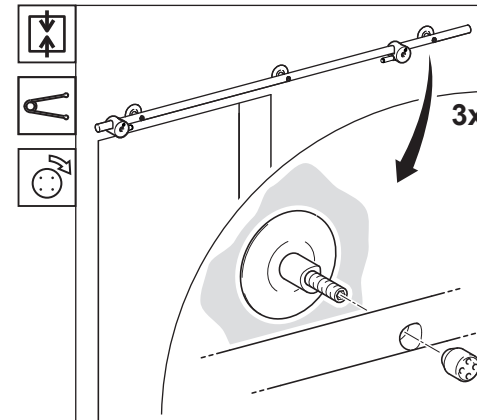


Abb. 12

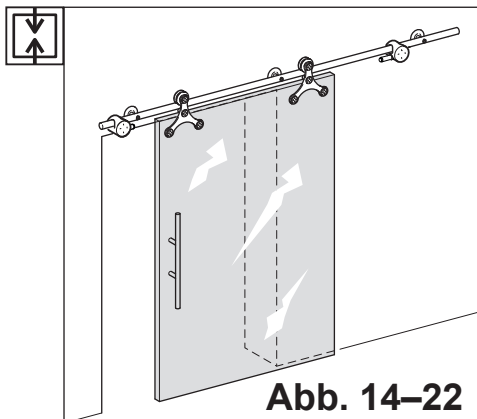


Abb. 13

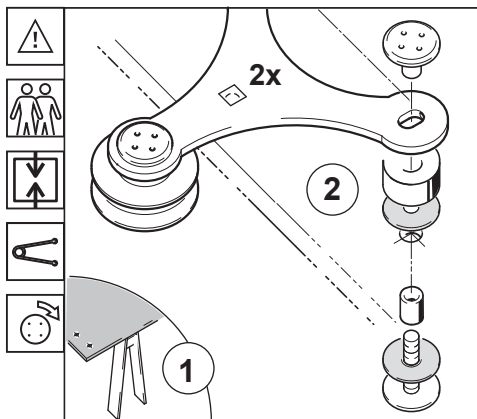


Abb. 14

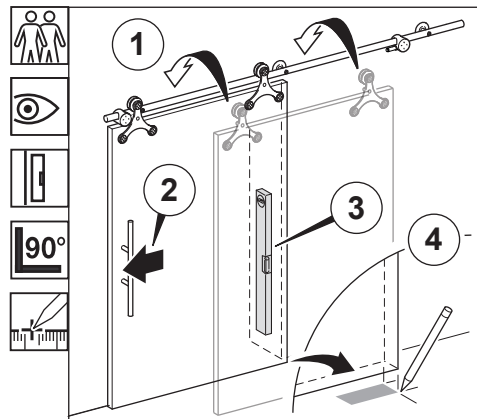


Abb. 15

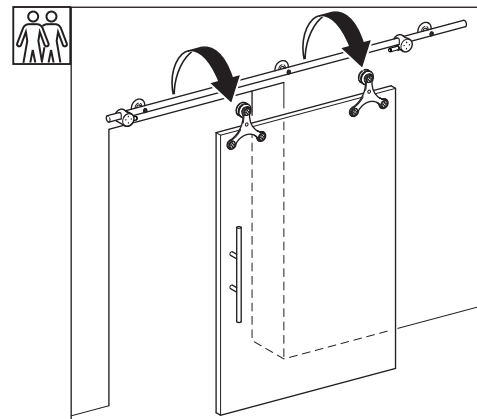


Abb. 16

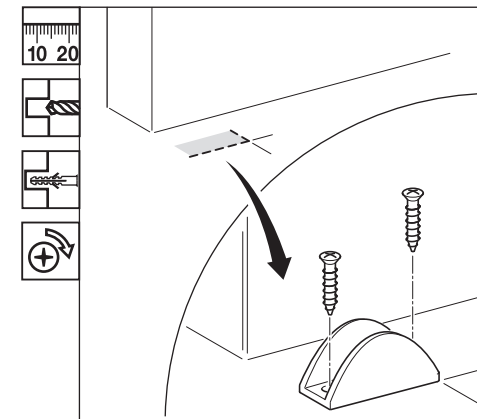


Abb. 17

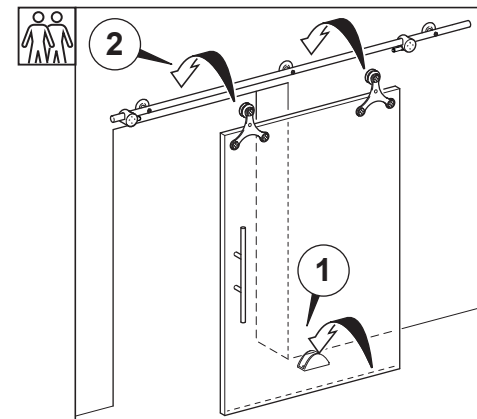


Abb. 18

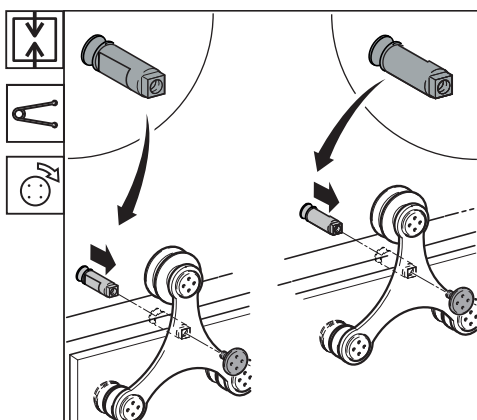


Abb. 19

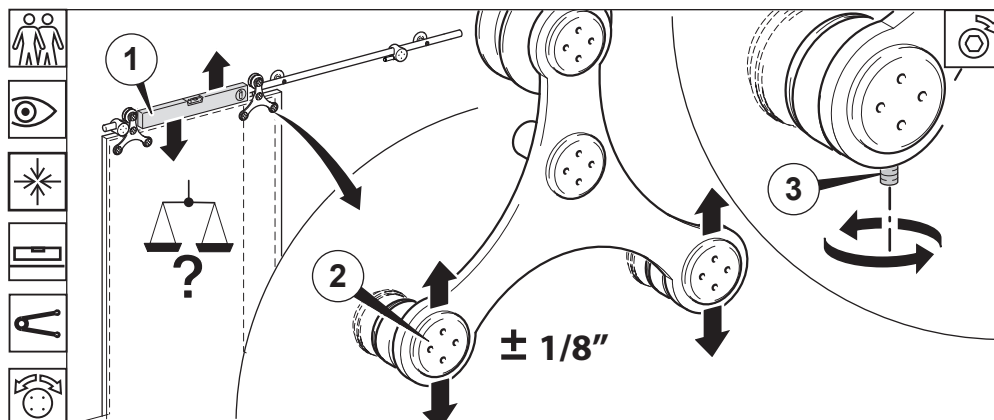


Abb. 20

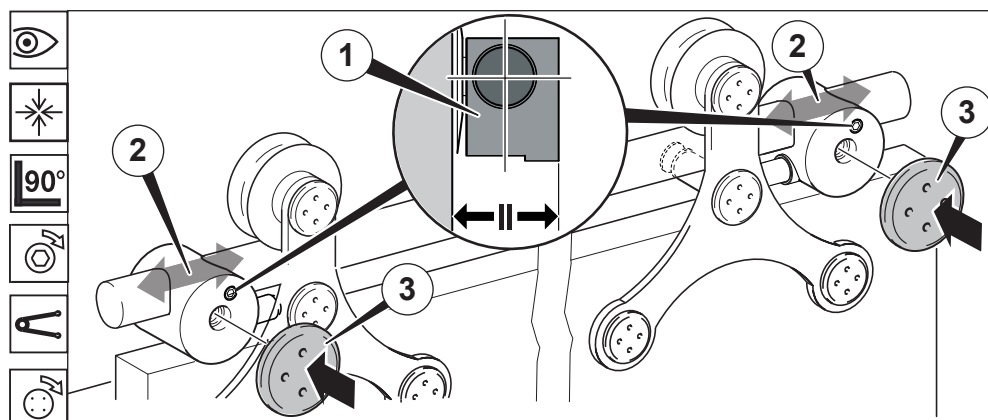


Abb. 21

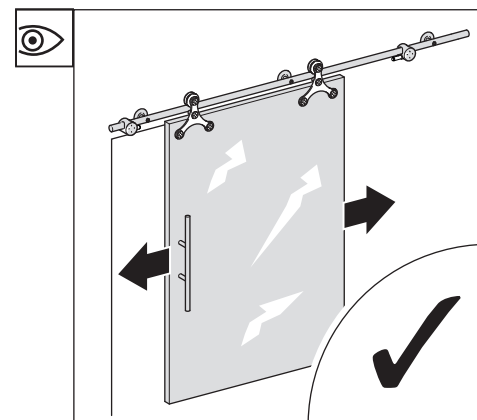


Abb. 22